

Protective covers

for power clamps GN 864

SPECIFICATION

Aluminum

- black anodized **ES**
- anti-stick coating, fluoropolymer (PTFE), green **FG**

Socket cap screws DIN 912,

centering guide bushings

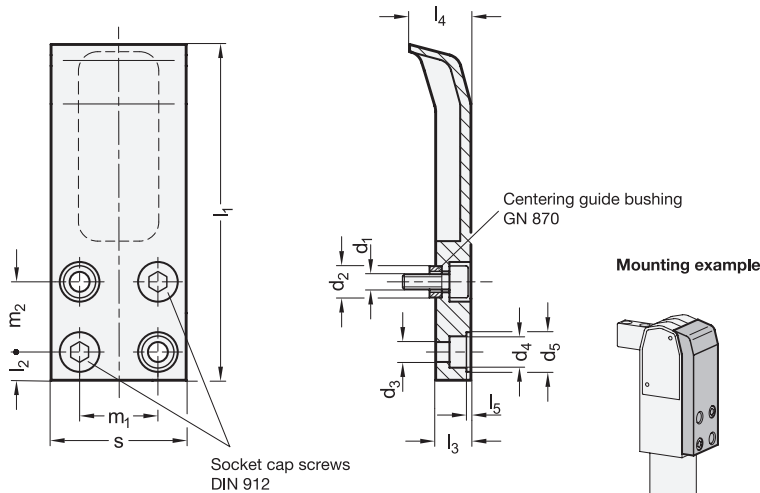
Steel, blackened

INFORMATION

Protective covers GN 864.1 are designed for power clamps GN 864 (see page 1634) and protect the tensioning mechanism from penetrating dirt by covering the back side of the power clamp. The type FG is equipped with an anti-stick coating of fluoropolymer (PTFE) for protection against welding spray and corrosion. Socket cap screws and centering guide bushings are included.

TECHNICAL INFORMATION

- ISO-Fundamental Tolerances (see page A21)



GN 864.1

Description	for power clamps GN 864 Size	s	d1	d2 H8/h6	d3	d4	d5	l1	l2	l3	l4	l5	m1	m2	⚖
GN 864.1-32-ES	20	32	M5	7	5.5	7	9	76	5	10	15.5	2.1	22	17	56
GN 864.1-32-FG	20	32	M5	7	5.5	7	9	76	5	10	15.5	2.1	22	17	56
GN 864.1-42-ES	32	42	M6	9	6.5	9	11	109	6.5	12	20	2.1	30	25	104
GN 864.1-42-FG	32	42	M6	9	6.5	9	11	109	6.5	12	20	2.1	30	25	104
GN 864.1-52-ES	40	52	M8	11	8.5	11	13	131	7.5	14	23	2.1	37	30	230
GN 864.1-52-FG	40	52	M8	11	8.5	11	13	131	7.5	14	23	2.1	37	30	230
GN 864.1-62-ES	50	62	M10	13	10.5	13	16	162	9	16	27	3.1	44	47	639
GN 864.1-62-FG	50	62	M10	13	10.5	13	16	162	9	16	27	3.1	44	47	639