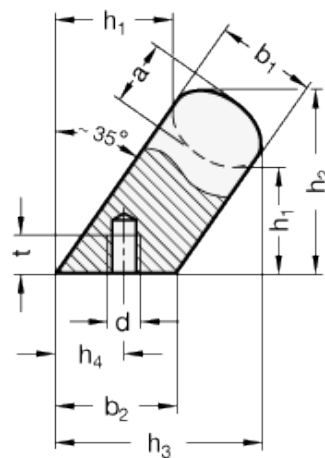


GN 565.7

Inclined Stainless Steel-Cabinet "U" handles



technical informations

Specification

Types

- Type A: Mounting from the back (threaded blind bore)

Stainless Steel

- AISI 304
- matt shot-blasted MT

Information

Inclined Stainless Steel-Cabinet "U" handles GN 565.7 are produced from profiled Stainless Steel extrusions. Their special features are their rigidity and ergonomical shaping.

The angled contact surface allows improved access even in tight spaces such as corners.

The manufacturing process (bending) allows the production of special lengths in relatively small quantities.

Standard Elements	Main dimensions											Weight
Description	b	$l_{\pm 0.25}$	a	b_2	d	h_1	h_2	h_3	h_{4+1}	r	$t_{min.}$	g
GN 565.7-20-112-A-MT	20	112	13	24	M 6	32	48	50	13.5	13	10	-

GN 565.7-20-128-A-MT	20	128	13	24	M 6	32	48	50	13.5	13	10	-
----------------------	----	-----	----	----	-----	----	----	----	------	----	----	---



ELESA and GANTER models all rights reserved in accordance with the law. Always mention the source when reproducing our drawings.

STANDARD MACHINE ELEMENTS WORLDWIDE