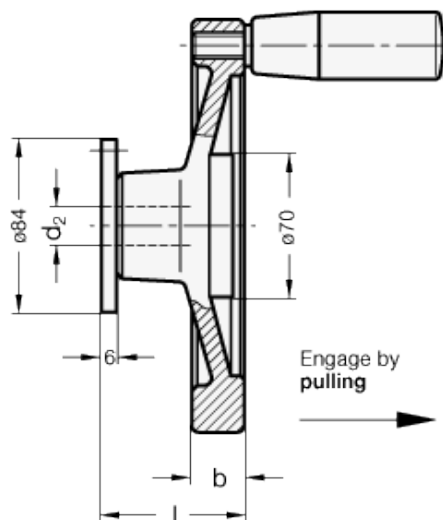
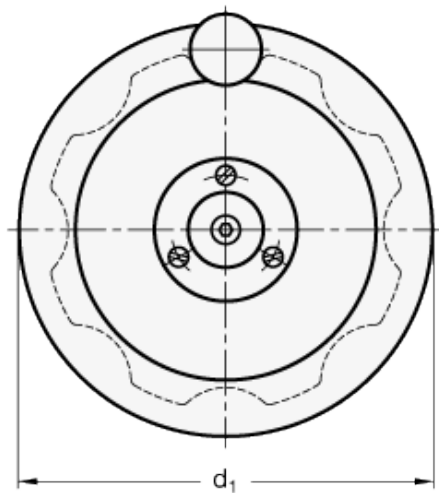


GN 327-D

Safety handwheels
with revolving handle



technical informations

Material

Aluminium, rim turned and polished.

Coupling attachments

- nitrided Steel.
- Bearing surface ground and / or PTFE-coated.
- Blackened bearing flange.

Revolving handle

Type GN 598 Phenolic based (PF) Duroplast, black colour, glossy finish.

Assembly

- Identification no. 1: with bearing bush.
- Identification no. 2: with centring ring.

Features and applications

Safety handwheels GN 327-D feature the ultimate in health and safety at work standards because the handwheel, if disengaged, is mounted on a fixed component, the bearing flange. The wheel is fully disengaged from the rotating shaft. The bearing flange can also accept the bearing of the shaft via the bearing bushing (identification No. 1). This bearing bushing is a dry bearing (DU bushing). Normally, the shaft has a separate bearing and the bearing bushing serves to center the bearing flange.

Centering can also be effected by a centering ring (identification No. 2) if the appropriate bore hole has been made at the machine side. In this case there is no need for the bearing bushes and no bearing friction (heating) will occur.

Standard Elements	Main dimensions				Mounting hole	Weight
Description	d ₁	d ₂ H7	b	l	Ø Handle	g
GN 327-160-K14-D-1	160	K14	18	66	26	1810
GN 327-160-K14-D-2	160	K14	18	66	26	1806
GN 327-160-K16-D-1	160	K16	18	66	26	1794
GN 327-160-K16-D-2	160	K16	18	66	26	1790
GN 327-160-K18-D-1	160	K18	18	66	26	1774
GN 327-160-K18-D-2	160	K18	18	66	26	1770
GN 327-160-K20-D-1	160	K20	18	66	26	1753
GN 327-160-K20-D-2	160	K20	18	66	26	1752
GN 327-200-K14-D-1	200	K14	20.5	68	26	2151
GN 327-200-K14-D-2	200	K14	20.5	68	26	2147
GN 327-200-K16-D-1	200	K16	20.5	68	26	2135
GN 327-200-K16-D-2	200	K16	20.5	68	26	2131
GN 327-200-K18-D-1	200	K18	20.5	68	26	2117
GN 327-200-K18-D-2	200	K18	20.5	68	26	2111
GN 327-200-K20-D-1	200	K20	20.5	68	26	2094
GN 327-200-K20-D-2	200	K20	20.5	68	26	2090



ELESA and GANTER models all rights reserved in accordance with the law. Always mention the source when reproducing our drawings.

STANDARD MACHINE ELEMENTS WORLDWIDE