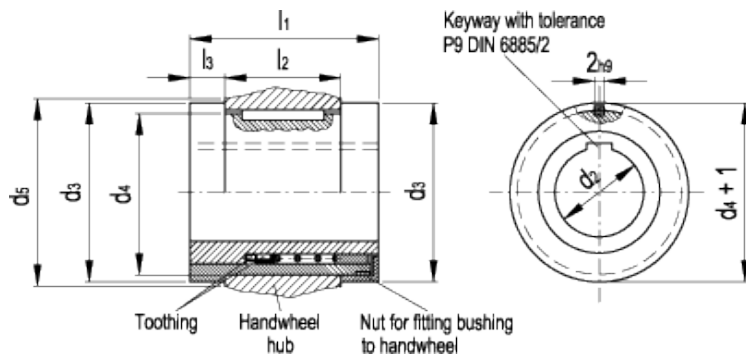


GN 000.4

Safety coupling bushings for handwheels with friction bearing



technical informations

Material

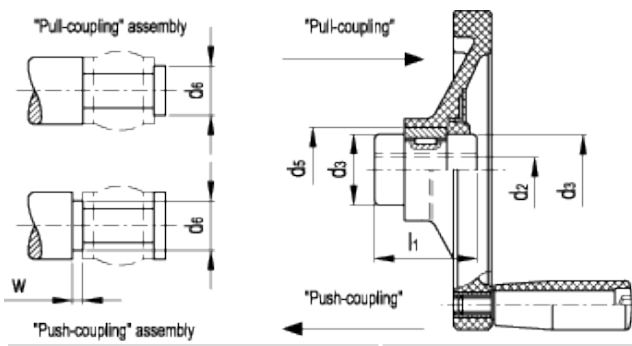
Steel with PTFE-coated sliding surfaces.

Assembly

Hardened steel hub with H7 reamed hole and keyway in compliance with [DIN 6885/1 P9 tolerance](#), sheet 2 and tab for fitting on handwheel hub.

Features and applications

The PTFE-coated surfaces provide minimal friction between bearing surfaces even when lubrication is being neglected. An oil-hole is provided which in the completely assembled safety handwheel connects the wheel to the hub.



Standard Elements	Main dimensions									Weight
Description	d_2 H7	d_3	* d_4 -0.05	# d_5	d_6 max.	l_1	* $l_2 \pm 0.1$	l_3	$w_{min.}$	g
GN 000.4-1-K12	12	28	25	29	17	28.5	18	5	4	81
GN 000.4-2-K14	14	32	29	33	21	32.5	19	6	4	123
GN 000.4-2-K16	16	32	29	33	21	32.5	19	6	4	110
GN 000.4-3-K18	18	38	35	39	26	36.5	24	6	4	190
GN 000.4-3-K20	20	38	35	39	26	36.5	24	6	4	173
GN 000.4-4-K22	22	45	41	46	30	47.5	28	12	4	349

* Diameter d_4 and length l_2 of the coupling are located within the hub of the handwheel (H7 reamed hole).

Minimum handwheel hub diameter.



STANDARD MACHINE ELEMENTS WORLDWIDE