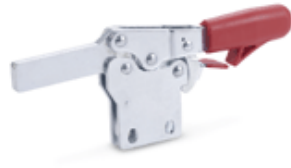
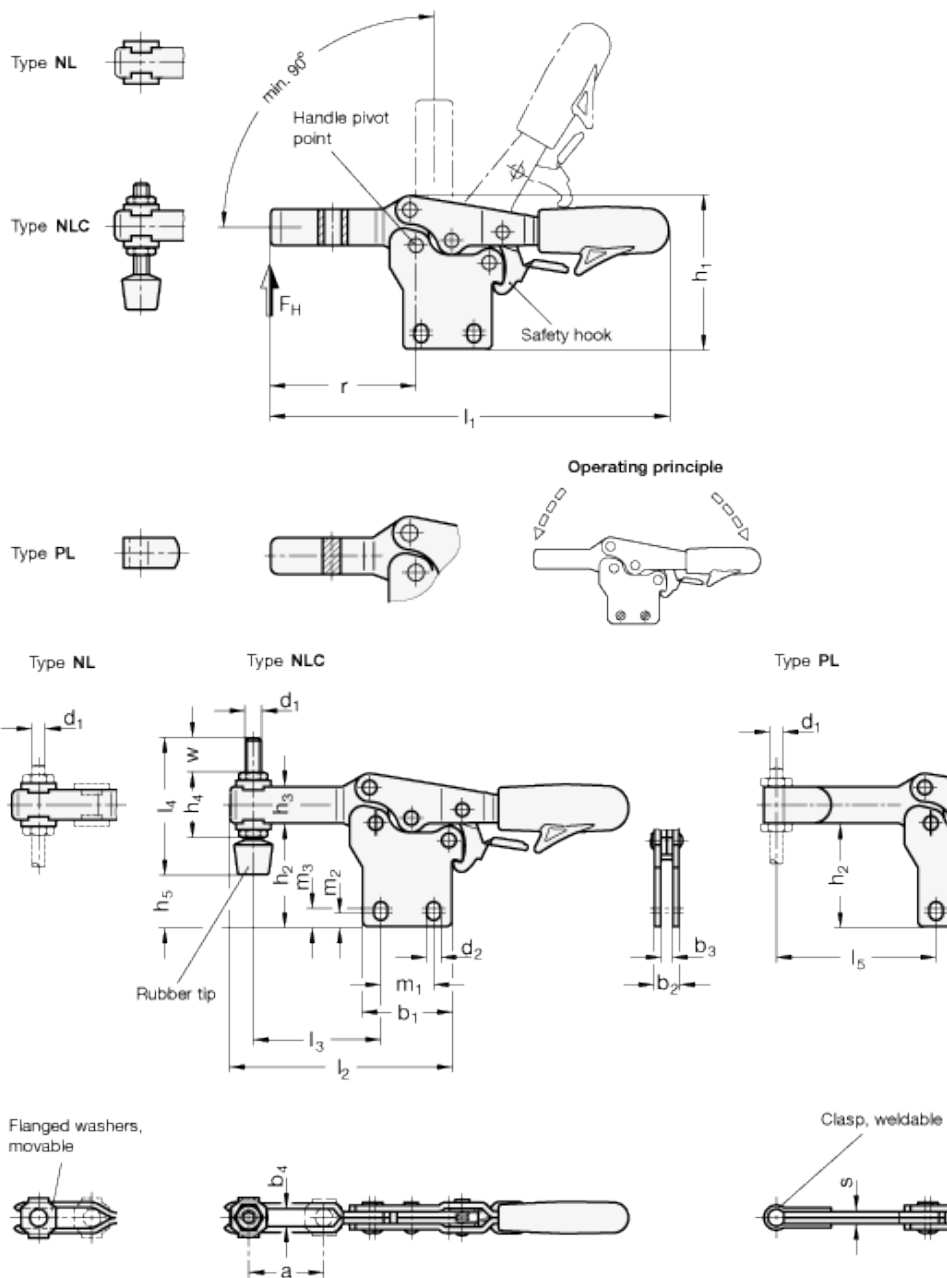


GN 820.4

Horizontal clamps





technical informations

Specificaiton

Types

- Type NL: U-bar Version, with two flanged washers
- Type NLC: U-bar Version, with two flanged washers and GN 708.1 spindle assembly
- Type PL: Solid bar Version, with clasp

Steel

- Case-hardened Steel C10, zinc plated, blus passivated
- Bearing Pins tempered
- Bearing rivets (for size 355 and up) case hardened

- All moving parts lubricated with Special grease

Hand grip

- High Quality, oil resistant red plastic
- Spindle assembly GN 708.1 (Type A)
 - Steel, zinc plated
 - Rubber tip 85 Shore A

Information

GN 820.4 horizontal acting toggle clamps have a safety function whereby, during closing, a spring loaded safety hook latch ensures a secure locking connection. It prevents the inadvertent unlocking of the clamp due to vibrations or an accidental attempt of loosening / opening of the clamp. To open and release the clamp, pull up on the finger grip to disengage the safety hook latch mechanism (one hand operation).

They work according to the toggle principle: lever and clamping bar move in the opposite direction. They require less space for the clamping action.

Horizontal acting toggle clamps in the U-bar version with two flanged washers (Type NL) can accommodate an application specific clamping screw. A spindle assembly with neoprene rubber tip is also included for Type NLC.

Type PL version can either be utilized by welding the clasp which can then accommodate an application specific hold-down fastener component, or by utilizing the bar in conjunction with the GN 809 Clamp Mounts to hold the work piece in place.

Accessory

- Spindle assemblies
- GN 801 Clamp Mounts for Toogle Clamps (for Type NL)
- GN 809 Clamp Mounts for Toogle Clamps (for Type PL)

Standard Elements	Main dimensions																				Weight						
Description	Size	F _{H in N}	a	b ₁	b ₂	b ₃	b ₄	d ₁	d ₂	h ₁	h ₂	h ₃	h ₄	h ₅	l ₁	l ₂	l ₃	l _{4 max.}	l ₅	m ₁	m ₂	m ₃	r	s	w	g	
GN 820.4-75-NL	75	900	20	28	8	4	5.3	M5	4.5	45.5	29	11	-	-	118	68	40	-	-	13.5	3.5	5	43	-	-	-	-
GN 820.4-130-NL	130	1000	32	36	10	5	6.3	M6	5.6	64.5	44	16	-	-	172	92	53	-	-	26	5.8	8.8	62	-	-	-	-
GN 820.4-230-NL	230	1700	37	44	12	6	8.5	M8	6.6	75.5	51	18	-	-	196	109	63.5	-	-	26	6.5	9	73	-	-	-	-
GN 820.4-355-NL	355	1800	58	60	14	7	10.5	M10	8.6	102	69.5	22	-	-	270	161	96	-	-	41	7.5	9.6	110	-	-	-	-
GN 820.4-455-NL	455	3200	65	70	18	10	12.5	M12	8.7	120	80.5	26	-	-	306	186	116	-	-	41.5	11	12.5	128	-	-	-	-
GN 820.4-75-NLC	75	900	20	28	8	4	5.3	M5	4.5	45.5	32	9	19	14	118	68	40	49.5	-	13.5	3.5	5	43	-	15	-	-
GN 820.4-130-NLC	130	1000	32	36	10	5	6.3	M6	5.6	64.5	44	16	25.5	27.5	172	92	53	64	-	26	5.8	8.8	62	-	17.5	-	-
GN 820.4-230-NLC	230	1700	37	44	12	6	8.5	M8	6.6	75.5	51	18	30	27	196	109	63.5	78	-	26	6.5	9	73	-	20	-	-
GN 820.4-355-NLC	355	1800	58	60	14	7	10.5	M10	8.6	102	69.5	22	37	43	270	161	96	115	-	41	7.5	9.6	110	-	19	-	-
GN 820.4-455-NLC	455	3200	65	70	18	10	12.5	M12	8.7	120	80.5	26	43	49	306	186	116	135	-	41.5	11	12.5	128	-	33	-	-
GN 820.4-75-PL	75	900	-	28	8	4	-	M5	4.5	45.5	29	11	-	-	118	68	40	-	45	13.5	3.5	5	43	4	-	-	-
GN 820.4-130-PL	130	1000	-	36	10	5	-	M6	5.6	64.5	43	16	-	-	172	92	53	-	55	26	5.8	8.8	62	5	-	-	-
GN 820.4-230-PL	230	1700	-	44	12	6	-	M8	6.6	75.5	51	18	-	-	196	109	63.5	-	68	26	6.5	9	73	6	-	-	-
GN 820.4-355-PL	355	1800	-	60	14	7	-	M10	8.6	102	69.5	22	-	-	270	161	96	-	77	41	7.5	9.6	110	7	-	-	-
GN 820.4-455-PL	455	3200	-	70	18	10	-	M12	8.7	120	80.5	26	-	-	306	186	116	-	100	41.5	11	12.5	128	10	-	-	-



STANDARD MACHINE ELEMENTS WORLDWIDE