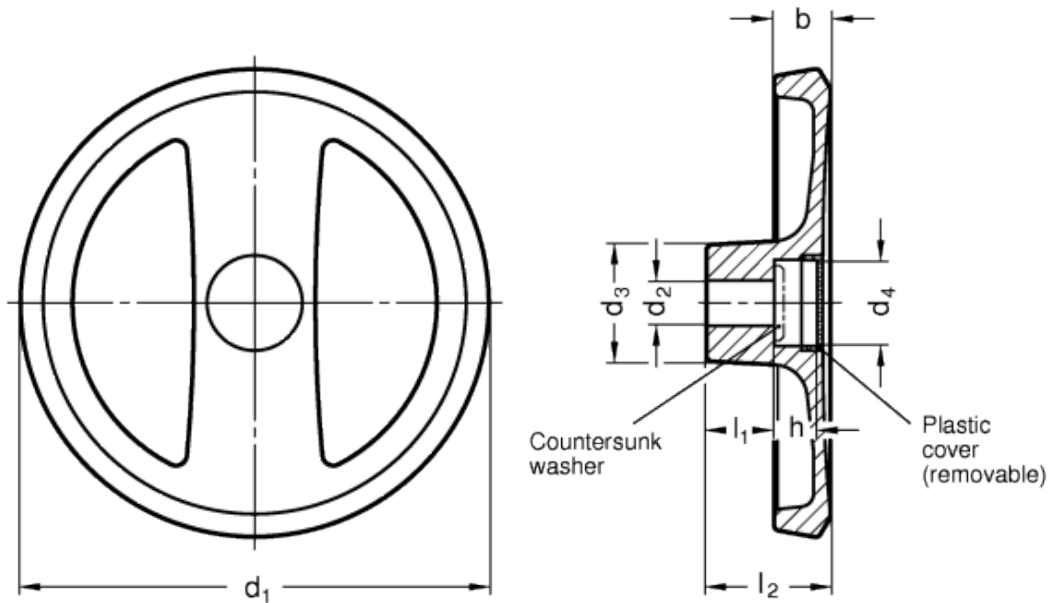


GN 924-A

Spoked handwheels



technical informations

Material

Aluminium pressure die casting, hub machined, rim turned.

Colour

- Version SW: plastic coated, black RAL 9005, textured finish.
- Version SR: plastic coated, silver RAL 9006, textured finish.

Assembly

- Version B: hub with H7 tolerance plain hole.
- Version K: hub with H7 reamed hole with keyway in compliance with [DIN 6885/1 P9 tolerance](#).

For fixing GN 924 on shafts by a grub screw see [Technical Data](#).

Plastic cover

Polyamide based (PA) technopolymer, light-grey colour, push-fit assembly

Features and applications

Spoked handwheels GN 924 are distinguished by modern design.
The removable plastic cover shrouds the fixing components such as screws, countersunk washers as well as the shaft end.

Accessories on request

Axial retaining washer [GN 184](#).

Technical data

Axial and radial runout lower than 0.4.

Standards Elements	Main dimensions						Bore		Recommended washer	Weight g
	Description	d ₁	d ₃	d ₄	b	h	l ₂ ≈	d _{2H7}		
GN 924-125-B12-A-SW	125	31	23	15	11	33.5	12	18	GN 184-20	255
GN 924-125-B12-A-SR	125	31	23	15	11	33.5	12	18	GN 184-20	255
GN 924-125-K12-A-SW	125	31	23	15	11	33.5	12	18	GN 184-20	253
GN 924-125-K12-A-SR	125	31	23	15	11	33.5	14	18	GN 184-20	250
GN 924-125-B14-A-SW	125	31	23	15	11	33.5	14	18	GN 184-20	251
GN 924-125-B14-A-SR	125	31	23	15	11	33.5	14	18	GN 184-20	250
GN 924-125-K14-A-SW	125	31	23	15	11	33.5	14	18	GN 184-20	249
GN 924-125-K14-A-SR	125	31	23	15	11	33.5	14	18	GN 184-20	249
GN 924-140-B14-A-SW	140	36	28.5	16.5	13	36.5	14	19	GN 184-25	340
GN 924-140-B14-A-SR	140	36	28.5	16.5	13	36.5	14	19	GN 184-25	340
GN 924-140-K14-A-SW	140	36	28.5	16.5	13	36.5	14	19	GN 184-25	337
GN 924-140-K14-A-SR	140	36	28.5	16.5	13	36.5	14	19	GN 184-25	340
GN 924-140-B16-A-SW	140	36	28.5	16.5	13	36.5	16	19	GN 184-25	340
GN 924-140-B16-A-SR	140	36	28.5	16.5	13	36.5	16	19	GN 184-25	340
GN 924-140-K16-A-SW	140	36	28.5	16.5	13	36.5	16	19	GN 184-25	338
GN 924-140-K16-A-SR	140	36	28.5	16.5	13	36.5	16	19	GN 184-25	440
GN 924-160-B14-A-SW	160	36	28.5	18	14.5	39.5	14	20	GN 184-25	460
GN 924-160-B14-A-SR	160	36	28.5	18	14.5	39.5	14	20	GN 184-25	340
GN 924-160-K14-A-SW	160	36	28.5	18	14.5	39.5	14	20	GN 184-25	455
GN 924-160-K14-A-SR	160	36	28.5	18	14.5	39.5	14	20	GN 184-25	455
GN 924-160-B16-A-SW	160	36	28.5	18	14.5	39.5	16	20	GN 184-25	460
GN 924-160-B16-A-SR	160	36	28.5	18	14.5	39.5	16	20	GN 184-25	500
GN 924-160-K16-A-SW	160	36	28.5	18	14.5	39.5	16	20	GN 184-25	455
GN 924-160-K16-A-SR	160	36	28.5	18	14.5	39.5	16	20	GN 184-25	455
GN 924-200-B18-A-SW	200	42	36	20.5	16	45.5	18	24	GN 184-32	730
GN 924-200-B18-A-SR	200	42	36	20.5	16	45.5	18	24	GN 184-32	730
GN 924-200-K18-A-SW	200	42	36	20.5	16	45.5	18	24	GN 184-32	720
GN 924-200-K18-A-SR	200	42	36	20.5	16	45.5	18	24	GN 184-32	730

GN 924-200-B20-A-SW	200	42	36	20.5	16	45.5	20	24	GN 184-32	720
GN 924-200-B20-A-SR	200	42	36	20.5	16	45.5	20	24	GN 184-32	720
GN 924-200-K20-A-SW	200	42	36	20.5	16	45.5	20	24	GN 184-32	710
GN 924-200-K20-A-SR	200	42	36	20.5	16	45.5	20	24	GN 184-32	710

This product had the following design awards:



STANDARD MACHINE ELEMENTS WORLDWIDE