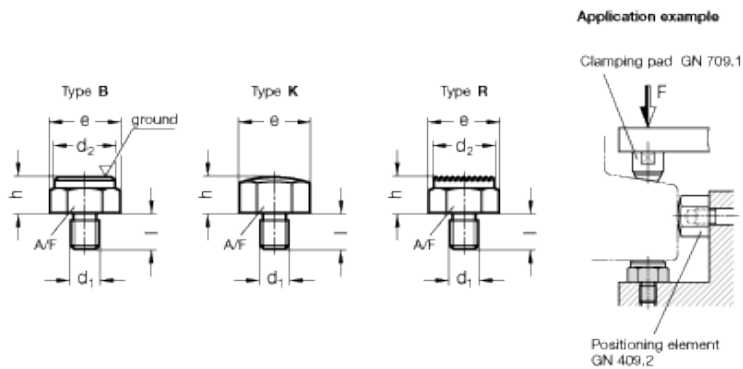


GN 409.1

Positioning elements



technical informations

Material

Black-oxide, hardened steel.

Standard versions available

- Type B: smooth contact face.
- Type K: spherical contact face.
- Type R: serrated contact face.

Features and applications

Positioning elements GN 409.1 with male thread are designed for use as locating plungers, stops and thrust blocks.

Standard Elements	Main dimensions				Thread		Weight g	
	Description	$h_{\pm 0.01}$	d_2	A/F	e	d_1		l
GN 409.1-10-M8-B		10	17	17	19.4	M8	10	21
GN 409.1-10-M10-B		10	19	19	21.9	M10	12	28
GN 409.1-10-M12-B		10	22	22	25.2	M12	14	40
GN 409.1-15-M10-B		15	19	19	21.9	M10	12	40

GN 409.1-15-M12-B	15	22	22	25.2	M12	14	56
GN 409.1-15-M16-B	15	30	30	33	M16	19	110
GN 409.1-20-M16-B	20	30	30	33	M16	19	140
GN 409.1-10-M8-K	10	-	17	19.4	M8	10	20
GN 409.1-10-M10-K	10	-	19	21.9	M10	12	27
GN 409.1-10-M12-K	10	-	22	25.2	M12	14	37
GN 409.1-15-M10-K	15	-	19	21.9	M10	12	40
GN 409.1-15-M12-K	15	-	22	25.2	M12	14	54
GN 409.1-15-M16-K	15	-	30	33	M16	19	105
GN 409.1-20-M16-K	20	-	30	33	M16	19	135
GN 409.1-10-M8-R	10	17	17	19.4	M8	10	20
GN 409.1-10-M10-R	10	19	19	21.9	M10	12	26
GN 409.1-10-M12-R	10	22	22	25.9	M12	14	38
GN 409.1-15-M10-R	15	19	19	21.9	M10	12	39
GN 409.1-15-M12-R	15	22	22	25.2	M12	14	54
GN 409.1-15-M16-R	15	30	30	33	M16	19	106
GN 409.1-20-M16-R	20	30	30	33	M16	19	136



STANDARD MACHINE ELEMENTS WORLDWIDE