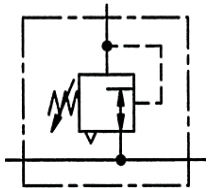




## Pressure regulator with continuous pressure supply Size 1

FU 72XX	FU 73XX
G 1/4	G 3/8
0.1 to 1.0 bar 0.1 to 2.0 bar 0.2 to 4.0 bar 0.5 to 8.0 bar 0.5 to 10.0 bar 0.5 to 16.0 bar	

### Description

**Pressure regulator** in the »FUTURA« series.

Pressure regulating valves guarantee a constant supply with the required working pressure. The version with a **continuous** pressure supply allows regulator manifolds to be designed for applications requiring different supply pressures. The regulated pressure is drawn off on the rear of the device.

### Characteristics

Type	FU 72XX	FU 73XX
Port (thread)	G 1/4	G 3/8
Type of construction	- Diaphragm pressure regulator with self-relieving design	
Medium	Compressed air, neutral gases	
Mounting position	Any	
Temperature Medium / ambient	Max. 50 °C	
Input pressure Pin	Max. 16 bar	
Control range (output pressure)	0.1 to 1.0 bar 0.1 to 2.0 bar 0.2 to 4.0 bar 0.5 to 8.0 bar 0.5 to 10.0 bar 0.5 to 16.0 bar	
Weight	0.270 without pressure gauge / 0.340 with pressure gauge	
Mounting type	Bracket, wall mounting	

### Materials

Part	Material:
Spring bonnet / adjusting knob	POM
Head piece	Grivory®
Diaphragm	Brass-NBR-PA6
Valve cone	Brass-NBR
O-ring 32x2.5	NBR
Cover (bottom screw)	POM
Thread base plate	Die-cast zinc

### Ordering information

- The pressure regulators are delivered in single packs.
- Pressure gauge incl. in scope of supply.

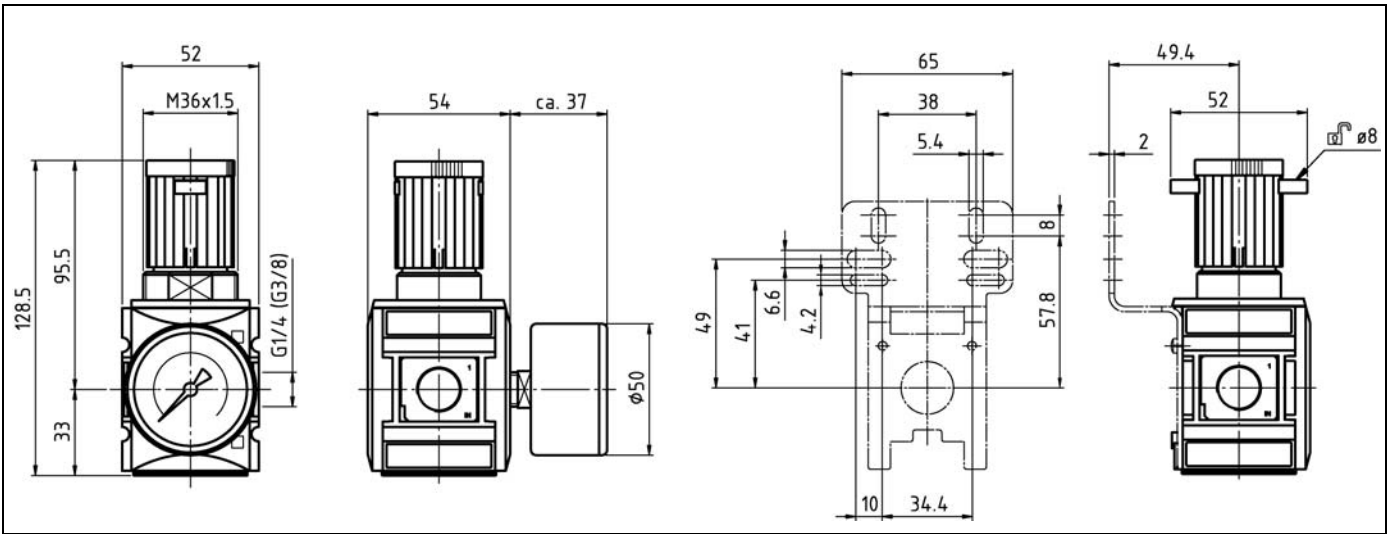
Accessories

Designation	Art. No.
Mounting bracket, incl. screws	H 850
Joiner set with wall bracket	WK 100
Joiner set	KP 100
Panel nut	FU 11-55
Key lock	SS 32

Spare parts

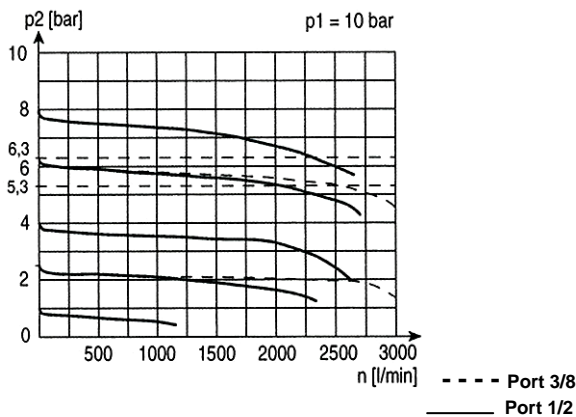
Designation	Art. No.
Set of seals	22.7010.4

Dimensions

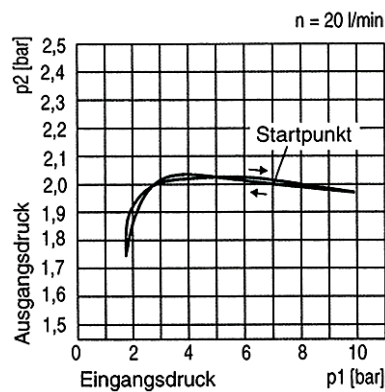


Flow rates

Flow characteristic



Hysteresis



Typical applications

