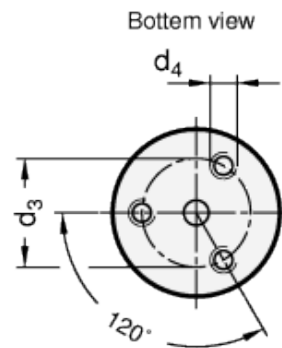
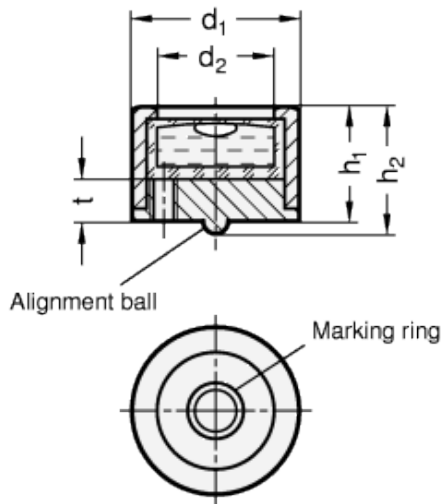


GN 2280

Bull's eye levels



technical informations

Specification

Sensitivity

30 Angle minutes, bubble move by 2 mm

Housing

Aluminium

anodized, natural colour ALN

anodized, black ALS

Spirit level element
Glass plastic body
Filling
colourless-transparent K

Casting compound
mineral-based

Information

Bull's eye levels levels GN 2280 with mounting threads are used to check the horizontal position of jigs, machines, devices, appliances and instruments.

The mounting threads offset by 120° allow the air levels are aligned in relation to the mounting surface. An alignment ball at the bottom surface of the adjustment plate serves as tilting point. Specific tightening torques for the bolts allow to be achieved, so that the bubble is located inside the marking ring once the horizontal alignment is reached.

On request

- Filling, green-transparent
- Other sensitivities
- Housing in brass or Stainless Steel

Standard Elements	Main dimensions							Weight
Description	d ₁	d ₂	d ₃	d ₄	h ₁	h ₂	t	g
GN 2280-ALN-17-K-30	17	13	12	M 3	13	14.5	5	6
GN 2280-ALS-17-K-30	17	13	12	M 3	13	14.5	5	6
GN 2280-ALN-20-K-30	20	13	14	M 3	15	17	5	8
GN 2280-ALS-20-K-30	20	13	14	M 3	15	17	5	8
GN 2280-ALN-24-K-30	24	15	16	M 3	17	20	5	12
GN 2280-ALS-24-K-30	24	15	16	M 3	17	20	5	12



STANDARD MACHINE ELEMENTS WORLDWIDE